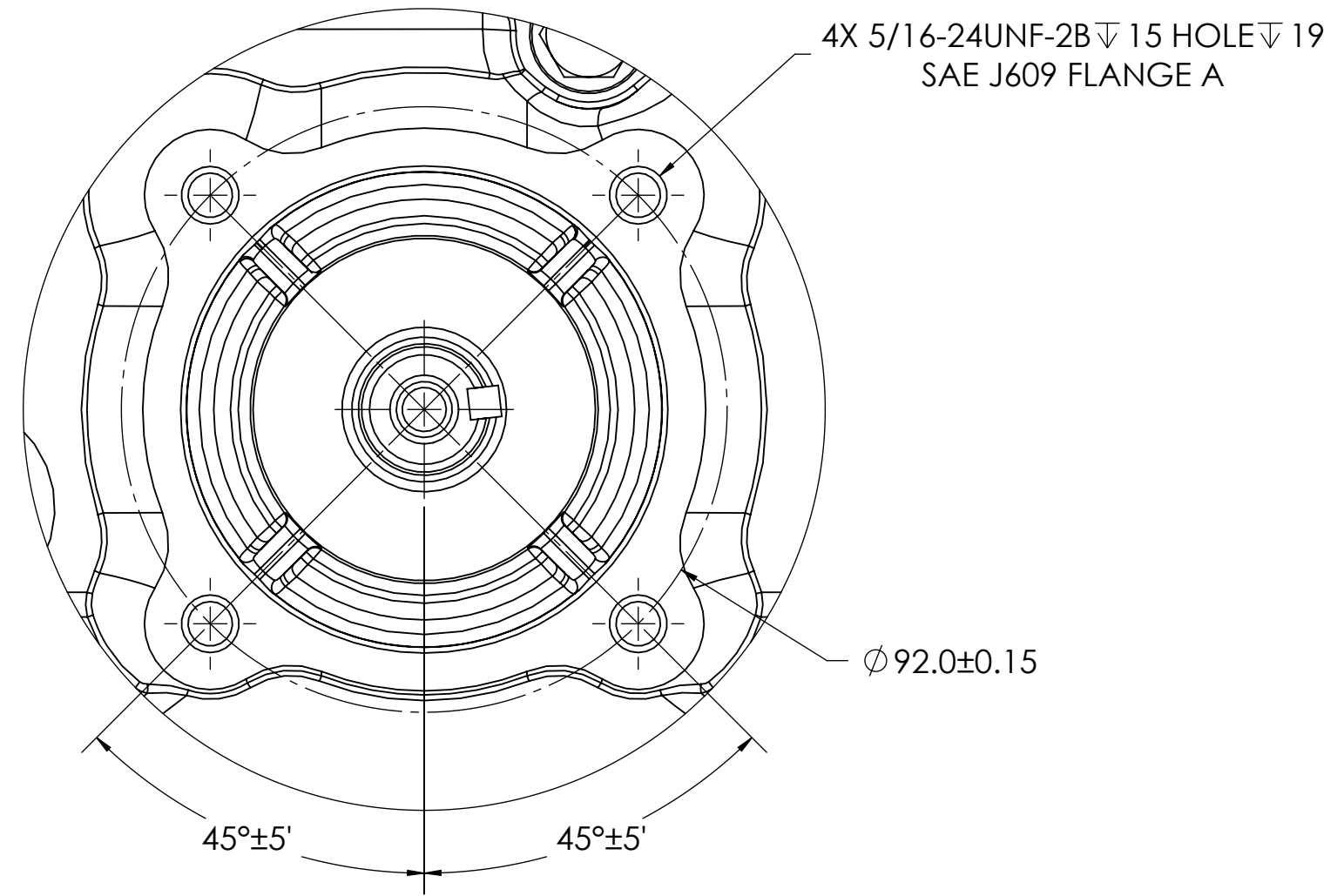
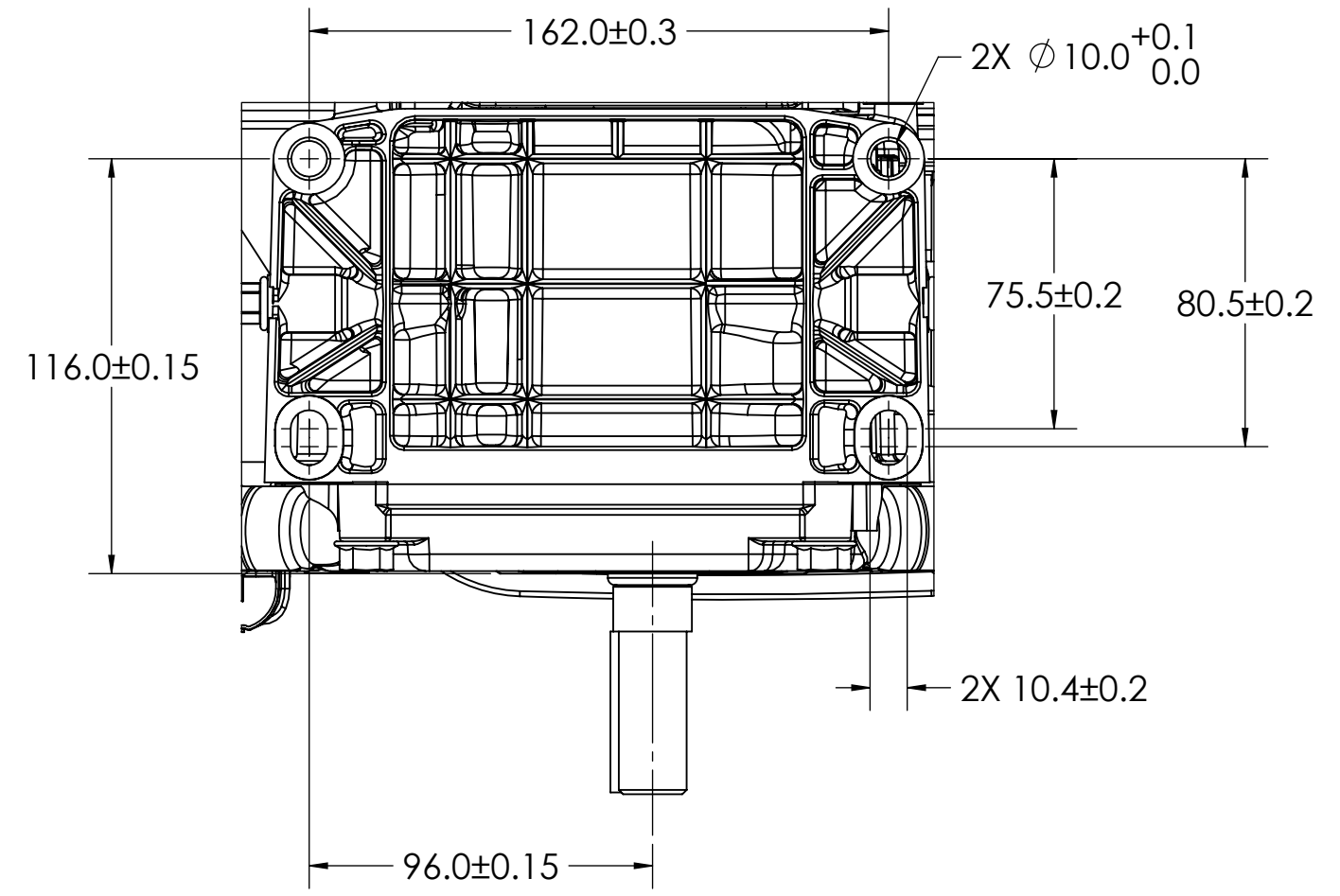
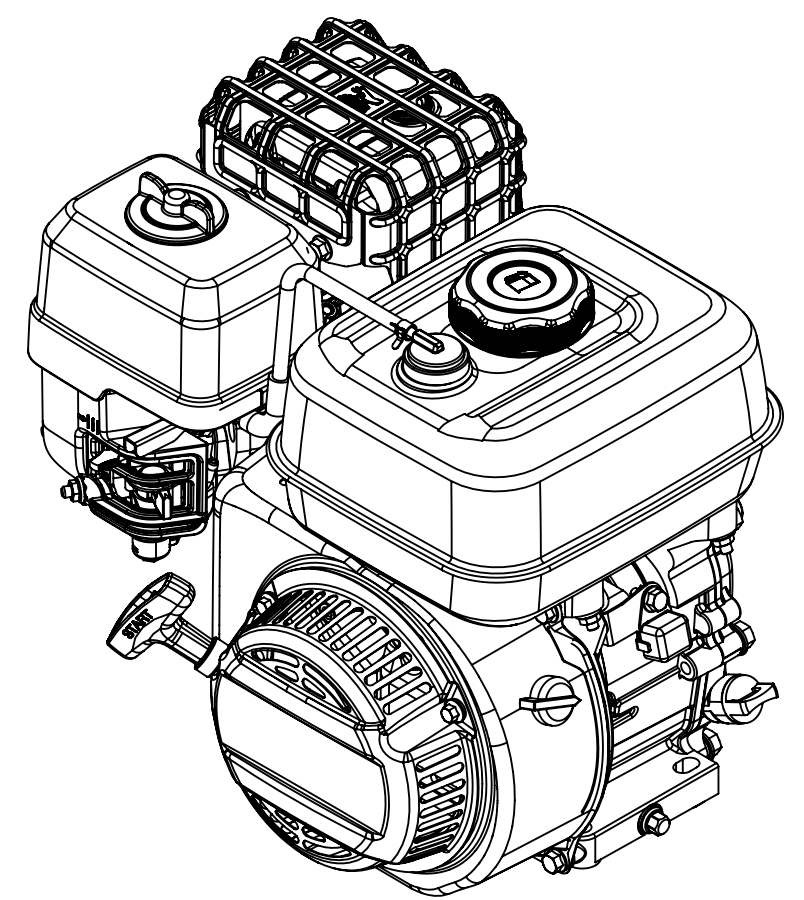
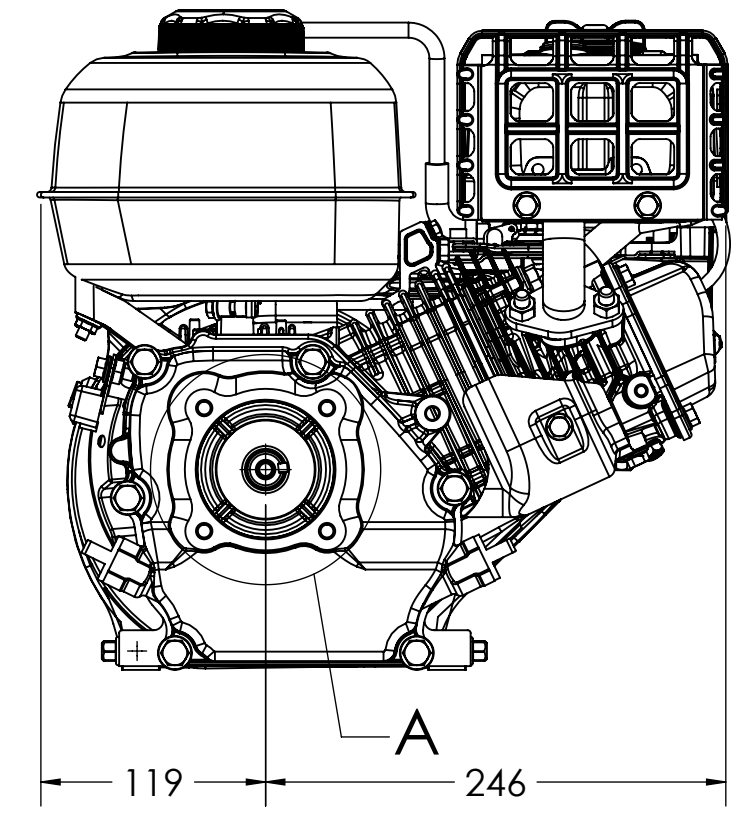
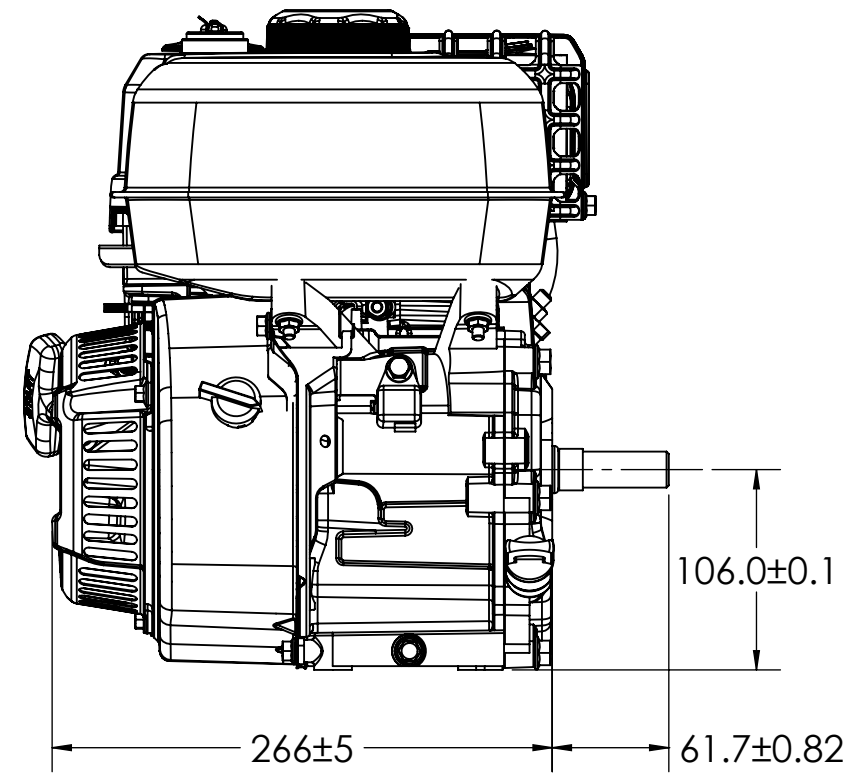
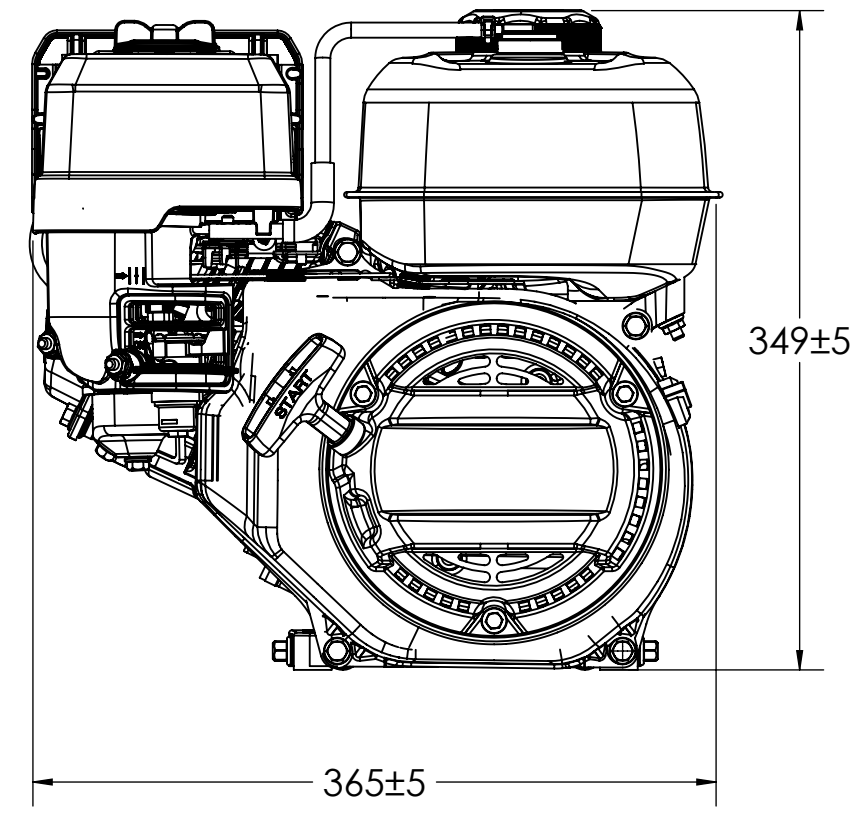


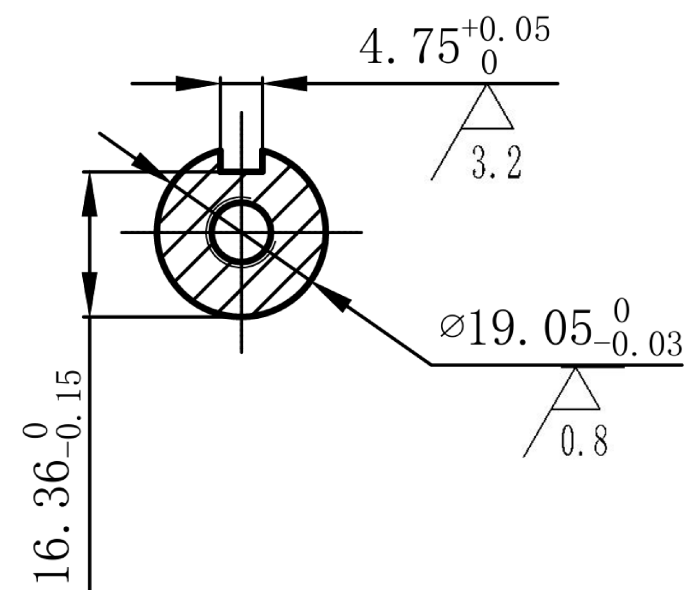
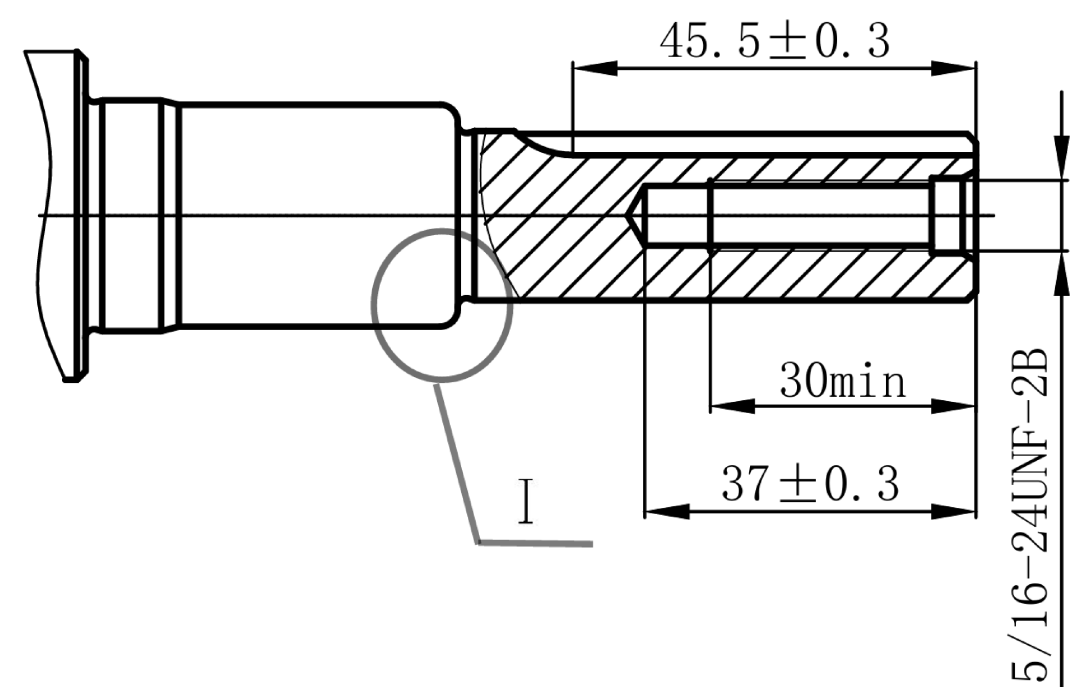
ITEM	FNA PARTS NO.	DESCRIPTION	QTY	MATCH
1	7111111	VALVE COVER KIT	1	110128
2	7126002	CYLINDER HEAD KIT	1	110128
3	7111113	CARBURETOR KIT	1	110128
4	7111114	AIR FILTER ASSEMBLY	1	110128
5	7111115	AIR FILTER ELEMENT	1	110128
6	7111133	MUFFLER KIT	1	110128
7	7111116	PISTON RING SET	1	110128
8	7111117	PISTON KIT	1	110128
9	7111118	CONNECTING ROD KIT	1	110128
10	7114209	LOW OIL SENSOR KIT	1	110128
11	7126003	SHORT BLOCK KIT	1	110128
12	7126004	CAM&TAPPET SET	1	110128
13	7111128	OIL DIP STICK KIT	1	110128
14	7111129	OIL DRAIN PLUG KIT	1	110128
15	7111132	IGNITION MODULE KIT	1	110128
16	7117126	FLY WHEEL	1	110128
17	7114230	OIL SEAL AND BEARING KIT	1	110128
18	7111125	STARTER CUP/FAN KIT	1	110128
19	7117130	RECOIL & BLOWER HOUSING KIT	1	110128
20	7126005	RECOIL STARTER KIT	1	110128
21	7111122	ON/OFF SWITCH KIT	1	110128
22	7117108	ADJUSTABLE THROTTLE & GOVERNOR KIT	1	110128

23	7114214	GOVERNOR SPRING KIT	1	110128
24	7117143	FUEL TANK KIT	1	110128
25	7111121	FUEL CAP	1	110128
26	7126006	ROLL OVER VALVE KIT	1	110128
27	7126007	ENGINE GASKET KIT	1	110128
28	7111151	SPARK PLUG	1	110128
29	7119648	MUFFLER MOUNTING KIT	1	110128
30	7123599	INTERNAL GOVERNOR KIT	1	110128

REV		DESCRIPTION	ECN#	BY	CHECK	APPROVE	DATE
A		INITIAL DRAWING RELEASE					



DETAIL A  
SCALE 1 : 1



THIRD ANGLE PROJECTION UNLESS OTHERWISE SPECIFIED: DIMENSIONS ARE IN MM TOLERANCES: X ± 2.5 .X ± 0.76 .XX ± 0.25 ANGULAR: ± 1° BEND: ± 1° ALL MACHINED SURFACES: √ 3.2 INTERPRET GEOMETRIC TOLERANCING PER LATEST: ASME Y14.5M DO NOT SCALE DRAWING	<b>FNA-GROUP</b> 7152 99th Street, Pleasant Prairie, WI 53158 <b>PROPRIETARY AND CONFIDENTIAL</b> THE INFORMATION CONTAINED IN THIS DRAWING IS THE SOLE PROPERTY OF FNA- GROUP. ANY REPRODUCTION IN PART OR AS A WHOLE WITHOUT THE WRITTEN PERMISSION OF FNA-GROUP IS PROHIBITED.	<b>DESCRIPTION:</b> <b>CRX210, RECOIL START,          GENERAL PURPOSE</b>	<b>REV:</b> <b>A</b>
	WEIGHT: 15000g MATERIAL: MULTIPLE	<b>BREAK ALL SHARP          EDGES AND          REMOVE BURRS</b>	DWG. NO. <b>2422102CUST</b>